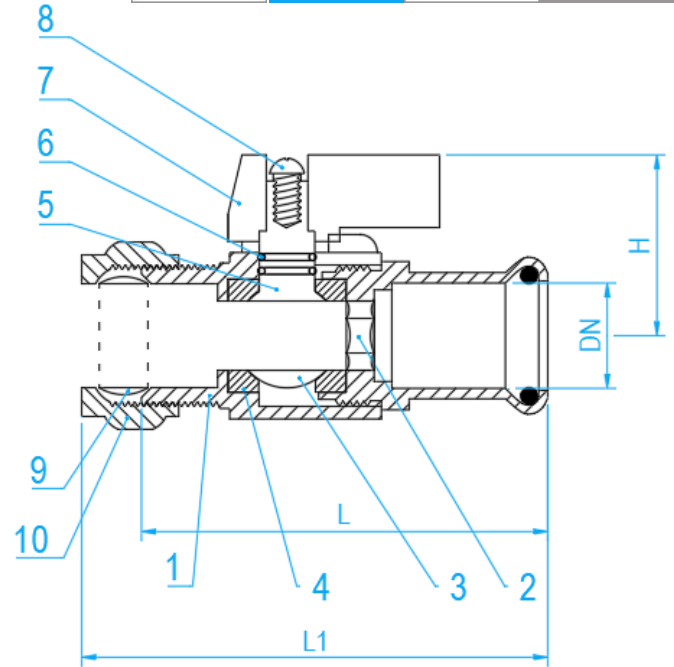
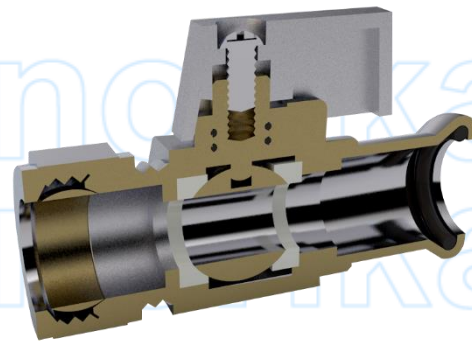
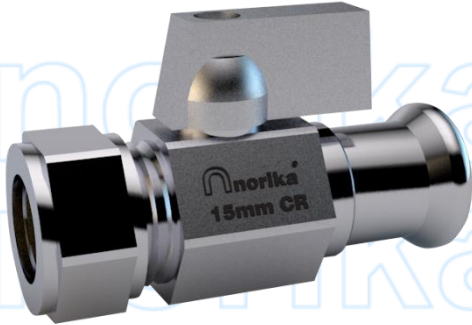


BRASS PRESS-FIT MINI BALL VALVE

COMPLY WITH BSEN13828:2003
AS/NZS 4020:2005
SS 375:2015



CROSS SECTIONAL VIEW

COMPONENT PARTS

ITEM	PARTS	MATERIAL
1	Body	Chrome-plated DZR Brass
2	Body	Chrome-plated DZR Brass
3	Ball	Chrome-plated DZR Brass
4	Seat	PTFE
5	Stem	DZR Brass
6	O-ring	EPDM
7	Handle	Zinc Alloy
8	Screw	AISI304
9	Ring	Brass
10	Nut	Brass

STANDARD SPECIFICATION

Working Pressure	200Psi
Applicable Medium	Water

DIMENSIONS

SKU	DN (mm)	SIZE (inch)	H (mm)	L (mm)	L1 (mm)	WEIGHT (kg)	PCS/CTN
MBVCRPFN015	15	1/2"	29	58.6	67	0.137	140